

# Dometic Cooling Container - CoolFreeze 850VAN HF



Compressor cooling box with heating function up to 25°C for temperature controlled transport.

Ideal for small vans like Fiat Doblo & Ford Connect etc. as alternative van conversion solution.

Ideal also for big vans like MB Sprinter.

Allowed transport of different temperature zones

# CoolFreeze 850VAN HF

- 850 liter compressor cooling and heat container with automatic temperature control system
- Powerful compressor with forced air ventilation system ensures excellent air distribution
- Full autonomy operation through integrated 12 volt battery
- Digital temperature display to select temperature in the range of 2°C to +25°C
- TÜV GS and E1 certificated
- CE marking
- ATP certificated
- H.A.C.C.P. approved
- Crash tested according to ECE R80 74/408/EWG



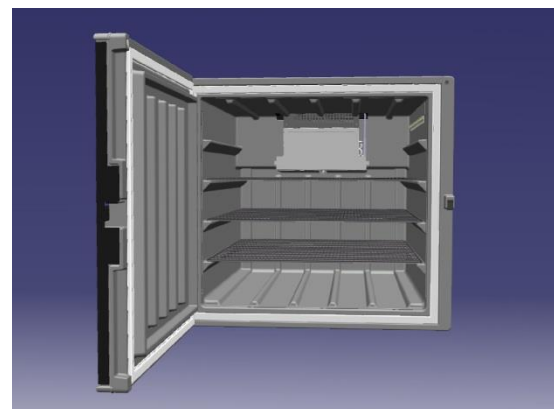
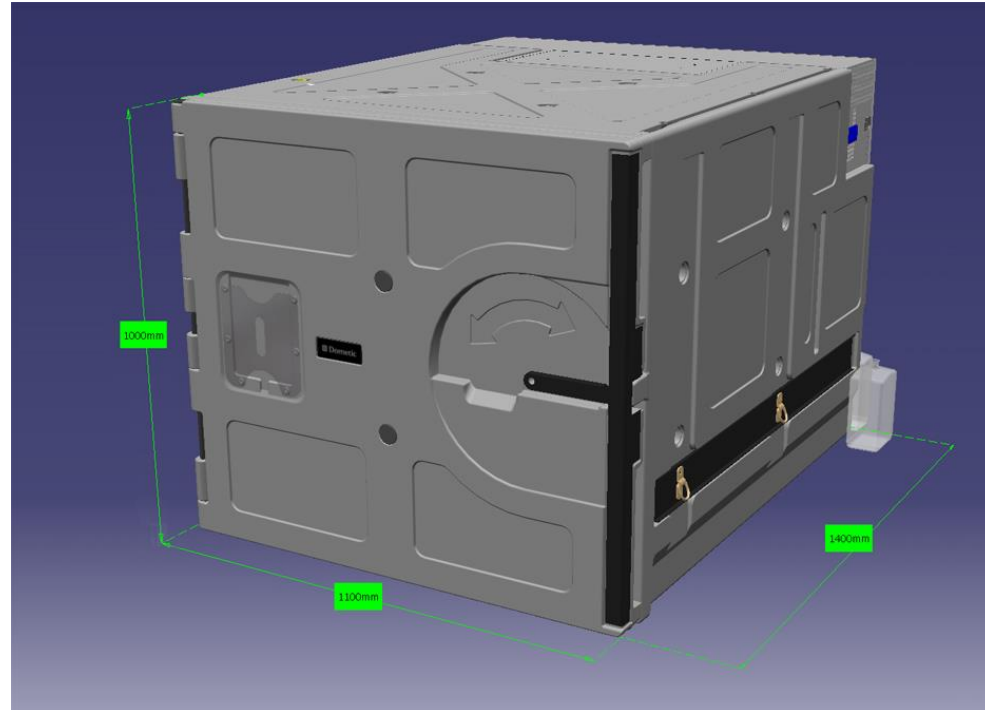
# CoolFreeze 850VAN HF

## The main characteristics of the refrigerator are:

- Fitting and dismounting in a very short time without any tools.
- Fast and safe fixation in the car by means of the provided belt set.
- 230VAC & 12VDC connection with integrated battery charger.
- Due to the integrated reloadable battery the unit can be operated during 8 hours without any power supply (16h with optional 2<sup>nd</sup> battery at +25° C ambient with pre cooled load)
- The inside volume of 850L can be individually arranged with the wire shelves.
- The robust cabinet made of PE is nearly insensitive against external damages.
- Best temperature distribution with air circulation system and low energy consumption thanks to optimal isolation.
- Precise and individually adjustable set point temperature .
- An visual & acoustic temperature alarm system reports any deviation of the preset temperature set-point.
- Integrated interface for additional safety signal.
- Double magnet sealing system of the door.
- Optimal inside illumination with powerful Multi-LED-system.
- High product safety thanks door lock which can be opened from inside.

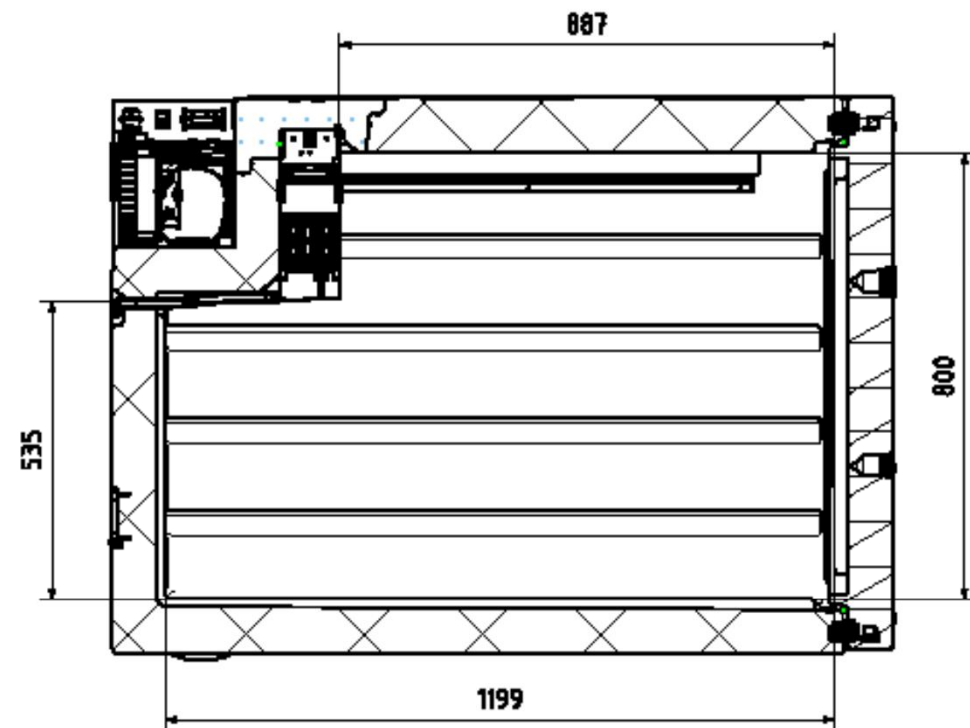
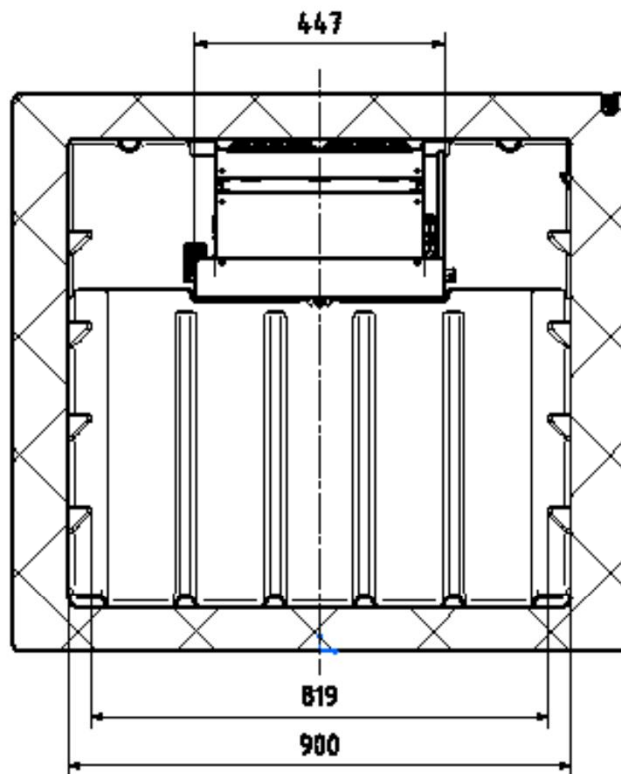
# CoolFreeze 850VAN HF

- **Outside dimensions:**  
**Height x Width x Depth (mm)**  
1000 x 1100 x 1400 mm
- **Gross capacity:**  
850 liter
- **Voltage:**  
AC: 220-240V 50-60 Hz  
DC: 12V
- **Power:**  
160 Watt - 12V DC  
220 Watt - 240V AC  
360 Watt max. with battery charger
- **Cooling capacity:**  
240W, based set point of 2°C with  
a ambient temperature of 43°C.
- **Temp. class:**  
SN/T (43°C)

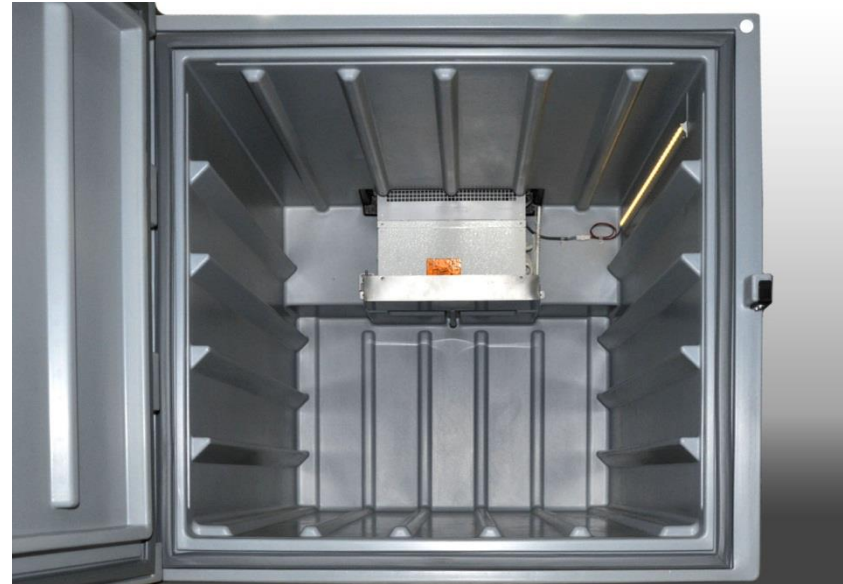


# CoolFreeze 850VAN HF

- Inside dimensions:



# CoolFreeze 850VAN HF



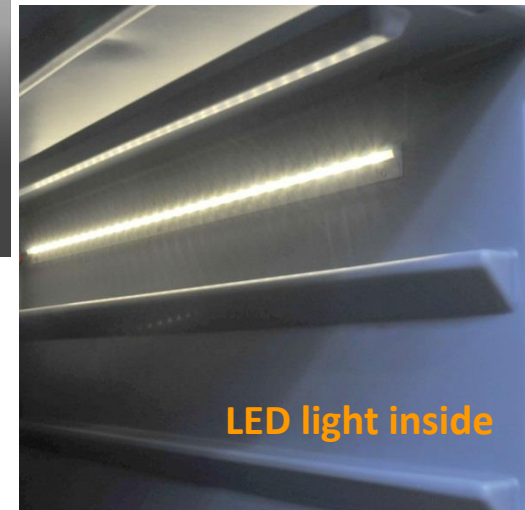
< Distance between grids 154mm



# CoolFreeze 850VAN HF



Control panel



LED light inside

# **CoolFreeze 850VAN HF**

**Suitable for the following light commercial vehicles**

## **Smallest class:**

**FORD Transit connect  
FIAT Doblo & OPEL Combo  
RENAULT Kangoo & MERCEDES Citan  
CITROEN Berlingo & PEUGOT Partner**

## **Standard class:**

**VOLKSWAGEN T5  
MERCEDES Vito  
RENAULT Trafic & OPEL Vivaro**

**and many more .....**



# CoolFreeze 850VAN HF



Mercedes-Benz Citan